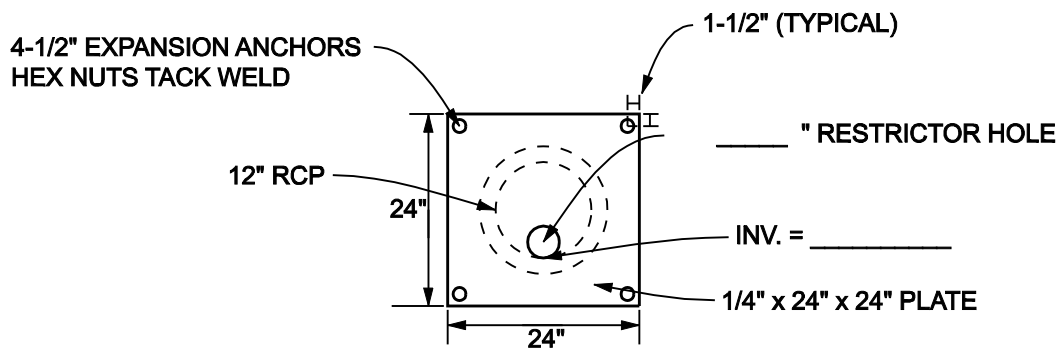


PLAN



SECTION A-A

NOTE:

1. PLATE SHALL BE CURVED TO MATCH THE INSIDE RADIUS OF THE CATCH BASIN.
2. THE RESTRICTOR PLATE AND FASTENERS SHALL BE FABRICATED IN STAINLESS STEEL OR DUCTILE IRON.
3. RESTRICTOR MOUNTING BOLTS SHALL BE TACK WELDED TO THE RESTRICTOR PLATE.

VILLAGE OF ELK GROVE VILLAGE

STORM RESTRICTOR (PLATE) DETAIL

