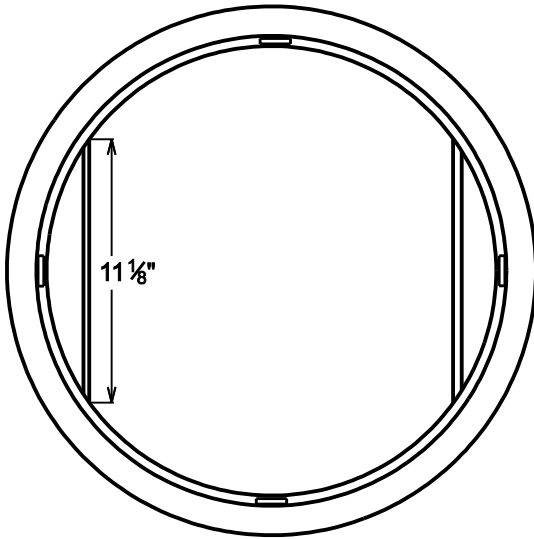
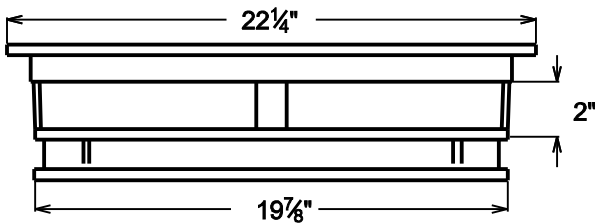
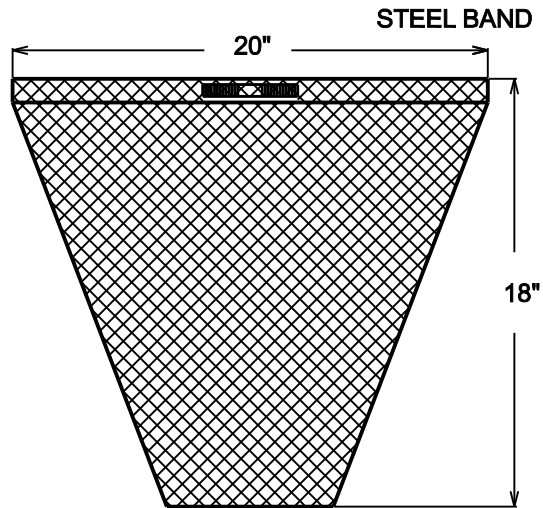


FRAME - PLAN VIEW



SEDIMENT BAG - SECTION



FRAME - SECTION

NOTES:

1. FRAME: TOP FLANGE FABRICATED FROM 1 1/4 "X1 1/4 "X1/8" ANGLE. BASE RIM FABRICATED FROM 1 1/2 "X1/2"X1/8" CHANNEL. HANDLES AND SUSPENSION BRACKETS FABRICATED FROM 1 1/4 "X1/4" FLAT STOCK. ALL STEEL CONFORMING TO ASTM-A36.
2. SEDIMENT BAG: BAG FABRICATED FROM 4 OZ./ SQ.YD. NON-WOVEN POLYPROPYLENE GEOTEXTILE REINFORCED WITH POLYESTER MESH. BAG SECURED TO BASE RIM WITH A STAINLESS STEEL STRAP AND LOCK.
3. FILTER FOR OTHER SHAPE GRATES SHALL BE APPROVED IN ADVANCE OF PLACEMENT BY VILLAGE ENGINEERING.

VILLAGE OF ELK GROVE VILLAGE

INLET BASKET FILTER

